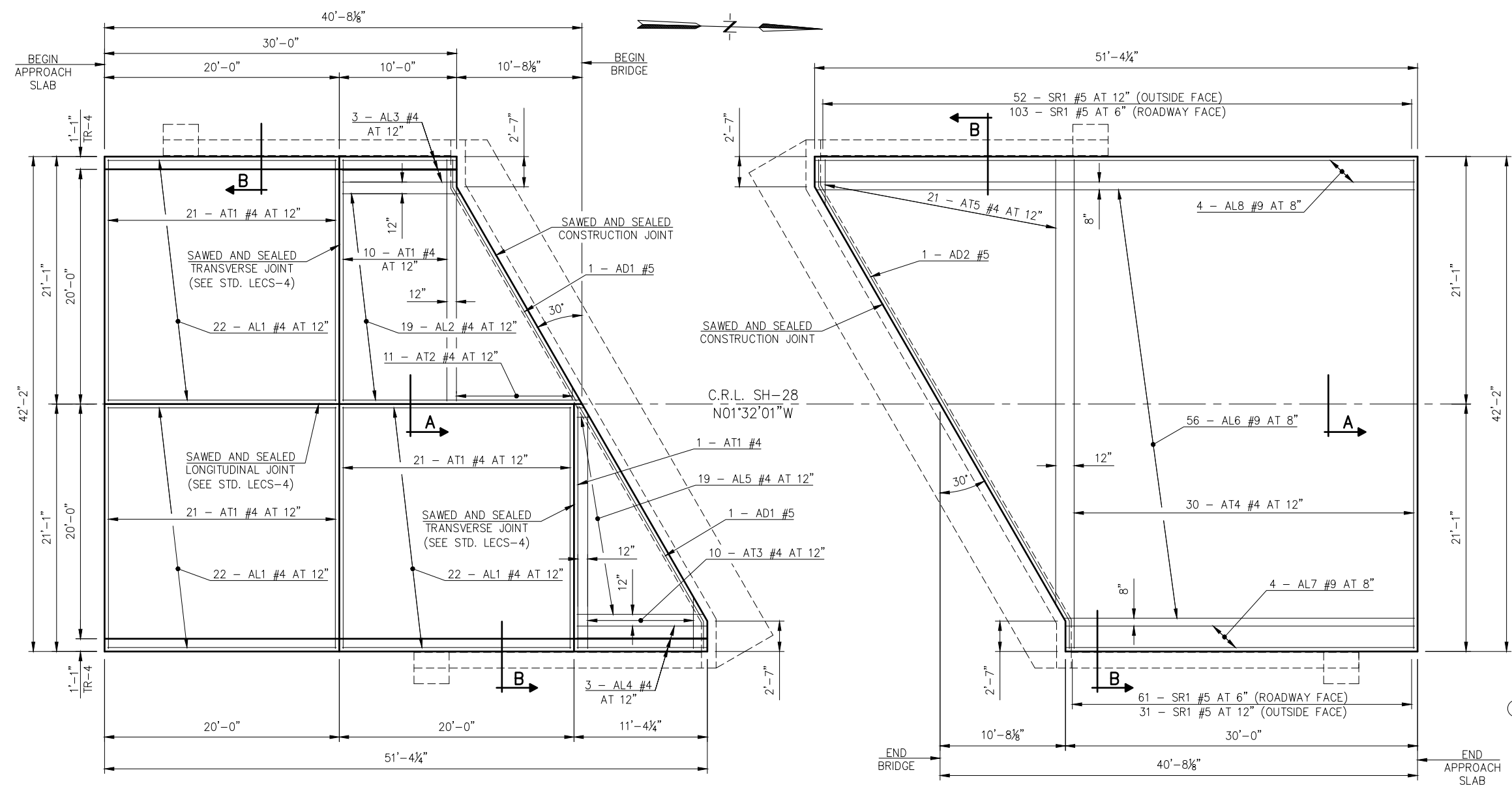


REVISIONS		
REV. NO.	DESCRIPTION	DATE



TOP REINFORCING MAT DETAIL
(SIMILAR FOR EACH APPROACH SLAB)

BOTTOM REINFORCING MAT DETAIL
(SIMILAR FOR EACH APPROACH SLAB)

APPROACH SLAB NO. 1

APPROACH SLAB NO. 2

NOTE:
FOR ADDITIONAL DETAILS OF APPROACH
SLAB AT ABUTMENT, SEE "DETAILS OF
SUPERSTRUCTURE (SHEET NO. 5 OF 7)".

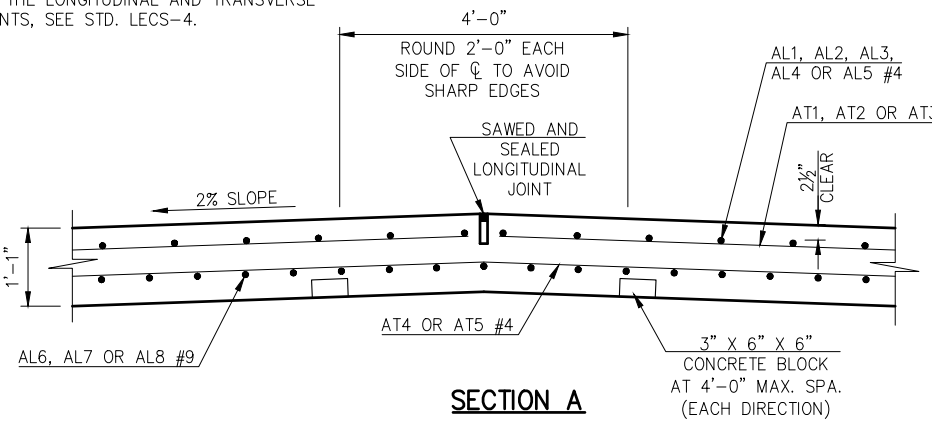
APPROACH SLAB BAR LIST (ONE SHOWN, TWO REQUIRED)					
MARK	SIZE	NO.	FORM	LENGTH	VARIANCE
EPOXY COATED REINFORCING					
AD1	#5	2	BNT.	23'-7"	-
AD2	#5	1	BNT.	47'-6"	-
AL1	#4	66	STR.	19'-8"	-
AL2	#4	19	STR.	15'-3 1/2" AVG.	10'-2" TO 20'-5"
AL3	#4	3	STR.	9'-10"	-
AL4	#4	3	STR.	11'-2"	-
AL5	#4	19	STR.	5'-8 1/2" AVG.	0'-7" TO 10'-10"
AL6	#9	56	STR.	40'-5 1/2" AVG.	29'-11" TO 51'-0"
AL7	#9	4	STR.	29'-10"	-
AL8	#9	4	STR.	51'-2"	-
AT1	#4	74	STR.	20'-9"	-
AT2	#4	11	STR.	9'-4 1/2" AVG.	0'-9" TO 18'-0"
AT3	#4	10	STR.	12'-3" AVG.	4'-5" TO 20'-1"
AT4	#4	30	STR.	41'-10"	-
AT5	#4	21	STR.	21'-9" AVG.	4'-5" TO 39'-1"
SR1	#5	247	BNT.	4'-1"	-

NOTE: FOR SR1 BAR BEND, SEE STD. TR4-2.

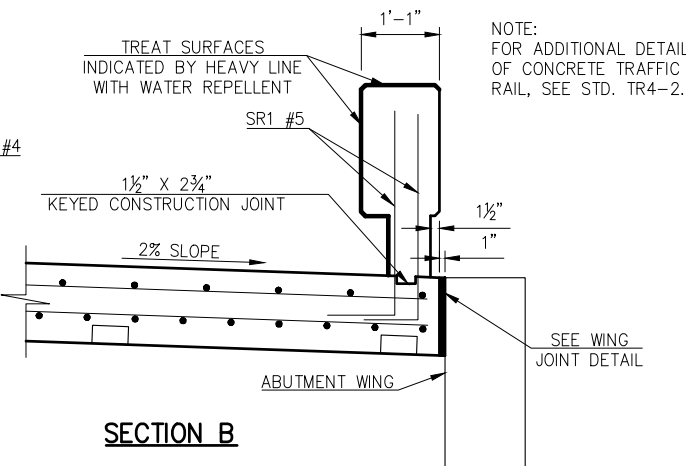
APPROACH SLAB QUANTITIES (ONE SHOWN, TWO REQUIRED)		
ITEM	UNIT	TOTAL
APPROACH SLAB	S.Y.	190.70
SAW-CUT GROOVING	S.Y.	180.90
CONCRETE RAIL (TR4)	L.F.	81.40
WATER REPELLENT (VISUALLY INSPECTED)	S.Y.	38.00

- ① THE DEPARTMENT CONSIDERS THE COST OF CONCRETE, REINFORCING STEEL (INCLUDING SR1 BARS), BACKER ROD, RAPID CURE JOINT SEALANT, POLYSTYRENE, AND POLYETHYLENE SHEETING TO BE INCLUDED IN THE CONTRACT UNIT PRICE OF "APPROACH SLAB".
- ② THERE IS AN ESTIMATED 68.9 C.Y. OF CLASS AA CONCRETE AND AN ESTIMATED 13,460 LB. OF EPOXY COATED REINFORCING STEEL IN EACH APPROACH SLAB.

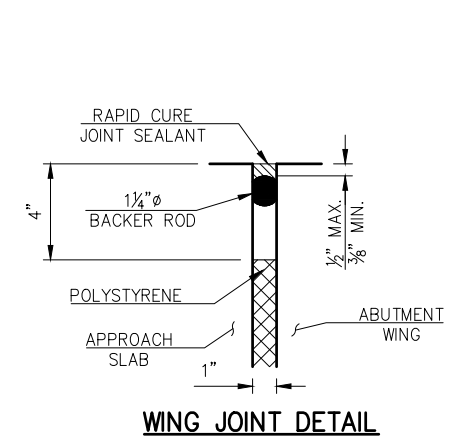
NOTE:
PLACE REINFORCING IN THE TOP OF THE
APPROACH SLAB 2" FROM EITHER SIDE OF
THE SAWED AND SEALED LONGITUDINAL AND
TRANSVERSE JOINTS. FOR ADDITIONAL DETAILS
OF THE LONGITUDINAL AND TRANSVERSE
JOINTS, SEE STD. LECS-4.



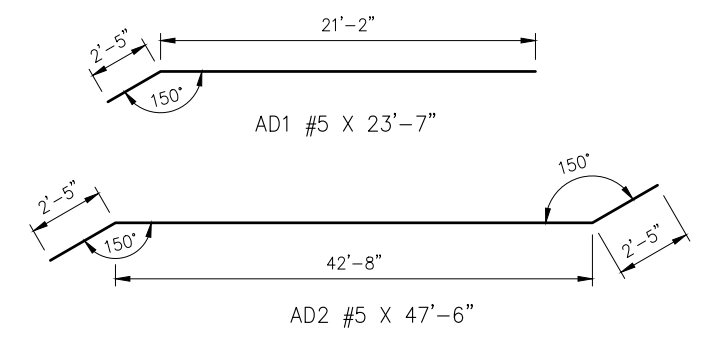
SECTION A



SECTION B



WING JOINT DETAIL



DESIGN	MBS	5/14	SH-28 OVER SALT CREEK BRIDGE "A"	NOWATA COUNTY
DETAIL	SLP	5/14		
CHECK	MBS	3/15		
GUY ENGINEERING SERVICES, INC.			STATE JOB PIECE NO. 28857(04)	SHEET NO. B029

DETAILS OF APPROACH SLABS

Monday, July 31, 2017 4:20:00 PM V:\12-716E SH-28 Salt Creek JP.28857\STRUCTURAL\DWG\Salt Creek - APPROACH.dwg